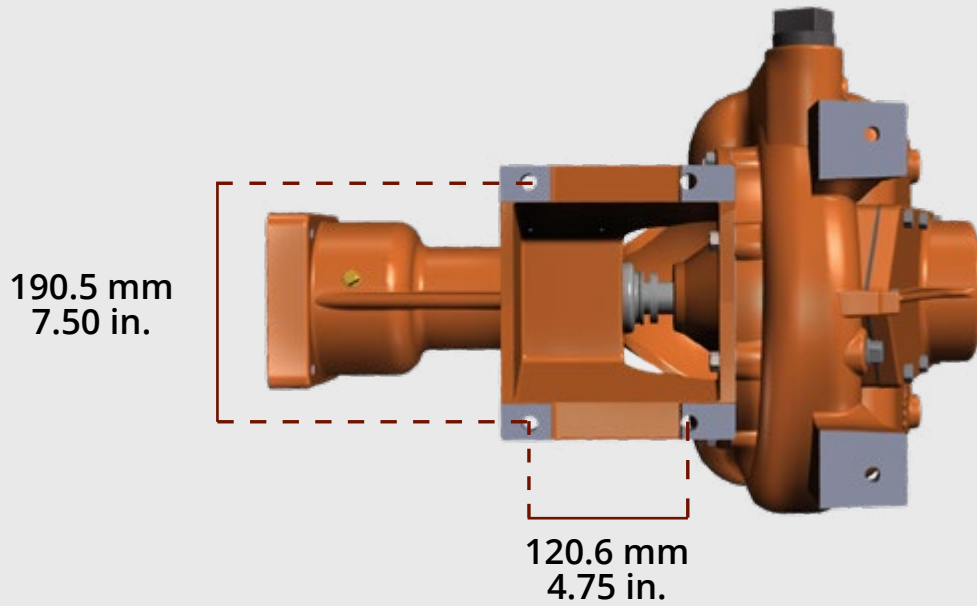


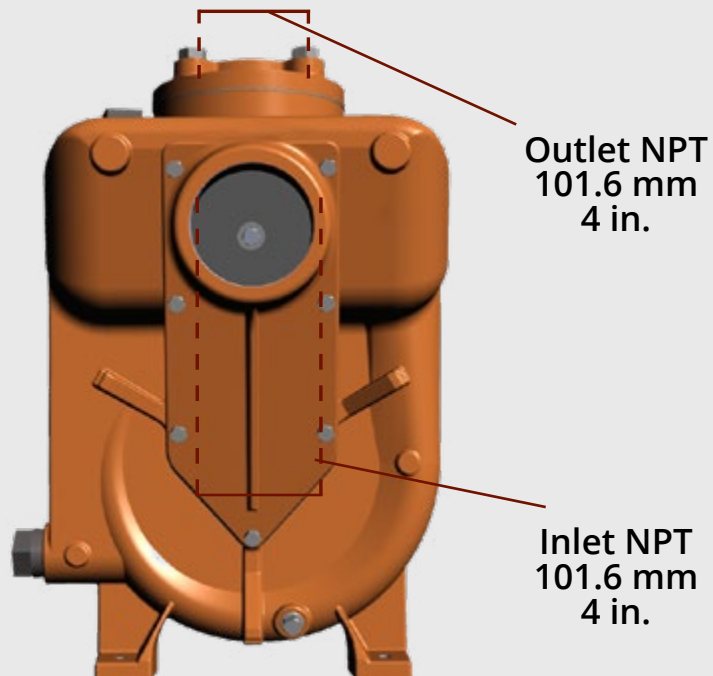
B-4Z Basic Dimensions

Please contact Parts Sales at 1-800-345-8889
for more dimensional information on our B-4Z water pump.

Footprint/ Bottom



Volute View



B-4Z Berkeley Pump Performance Curve



B-4Z Splined Shaft, CW
302430

Dia. 9.50"

Nominal RPM: **VARIOUS**
Based on Fresh Water @ **68°F (20°C)**
Maximum Working Pressure: 175 PSI (12 BAR)

